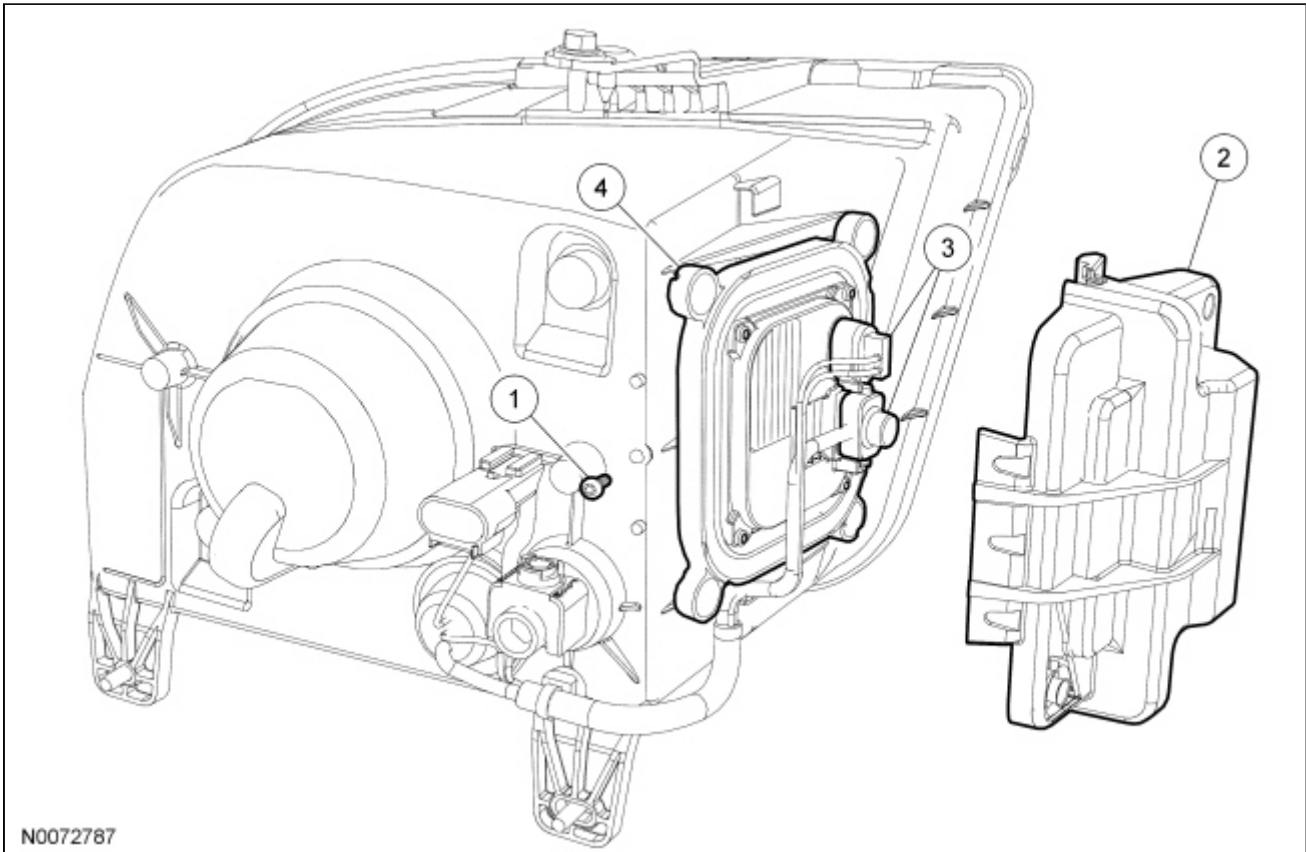


Ballast

NOTE: GT shown, others similar.



Item	Part Number	Description
1	—	Ballast cover screw
2	13008	Ballast cover
3	—	Ballast electrical connector (part of 13005/13006)
4	13C170	Ballast

Removal and Installation

1. Remove the headlamp assembly. For additional information, refer to [Headlamp Assembly](#) in this section.
2. Remove the screw (2 screws for Shelby GT500) and ballast cover.
3. Disconnect the electrical connectors and remove the ballast.
4. To install, reverse the removal procedure.

